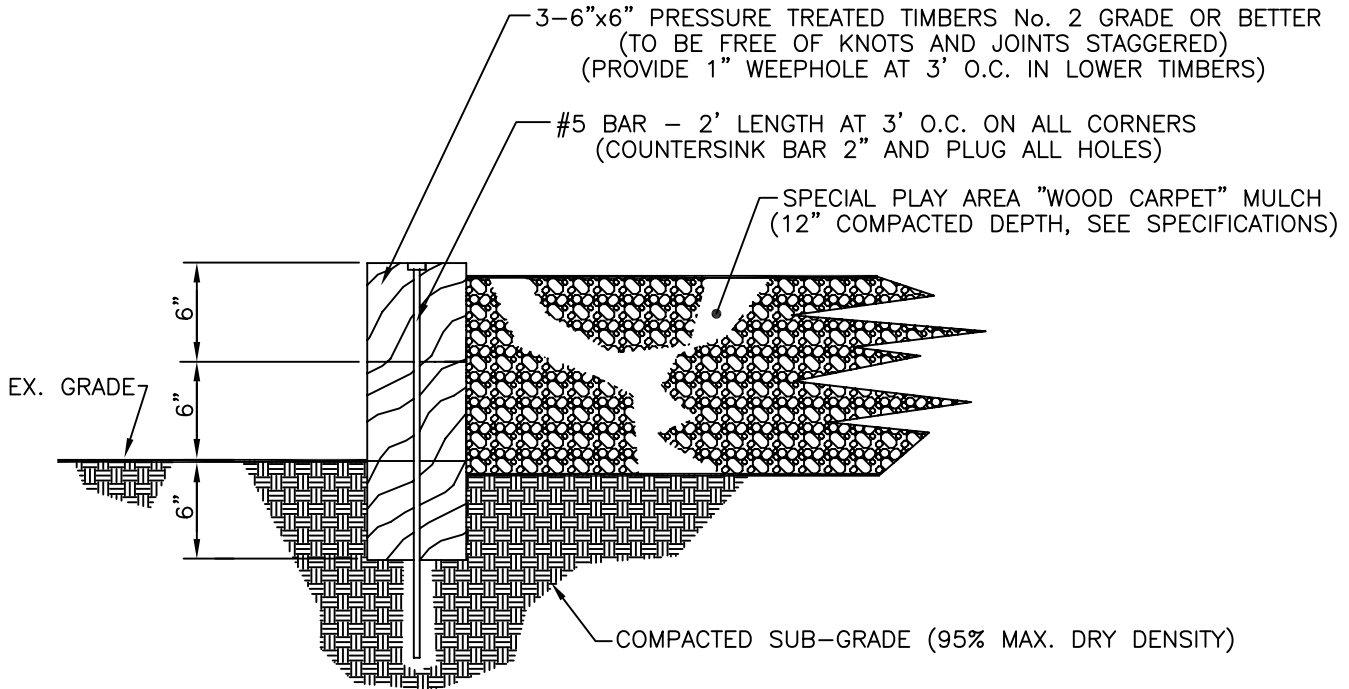


3-6"x6" PRESSURE TREATED TIMBERS No. 2 GRADE OR BETTER
 (TO BE FREE OF KNOTS AND JOINTS STAGGERED)
 (PROVIDE 1" WEEPHOLE AT 3' O.C. IN LOWER TIMBERS)



DETAIL
 N.T.S.



THE MARYLAND-NATIONAL CAPITAL PARK AND PLANNING COMMISSION
 Department of Park and Planning, Montgomery County, Maryland

PARK DEVELOPMENT DIVISION 9500 BRUNETT AVENUE SILVER SPRING, MD 20901	DATE APPROVED _____	6"x6" TIMBER EDGING	REVISED _____	DATE _____	STANDARD NO. 741
	CHIEF ENGINEER _____		_____	_____	
	SUPERINTENDENT OF PARKS _____		_____	_____	
	_____		_____	_____	